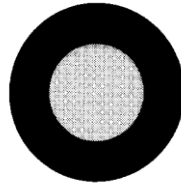
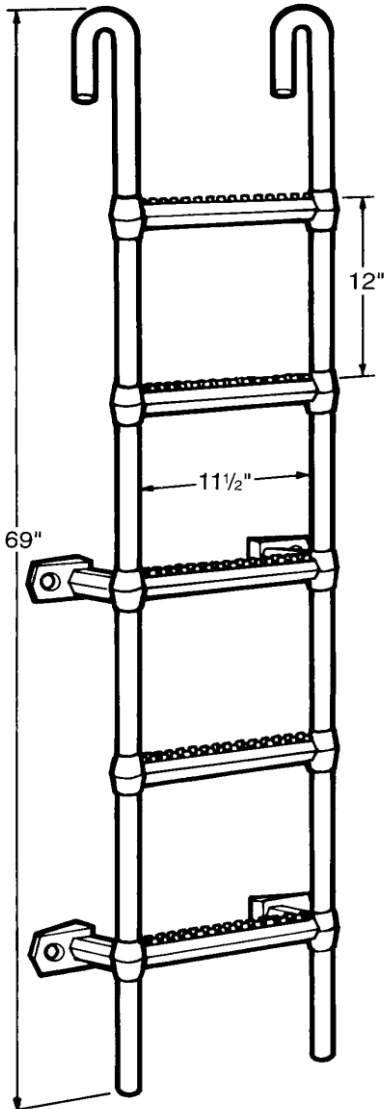
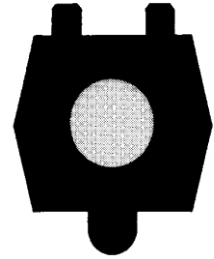


# LANE TECH SHEET

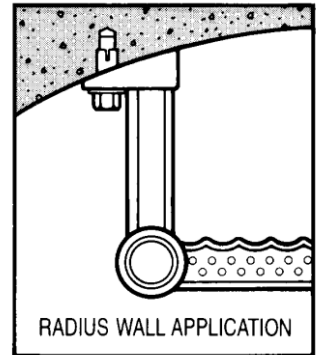
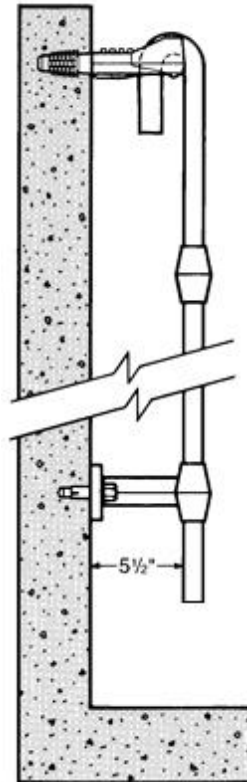
## 5 STEP POLY LADDER



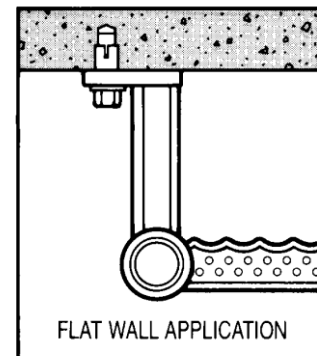
RAIL  
9/16" Grade 60 Round Bar



RUNG  
1/2" Grade 60 Rebar



RADIUS WALL APPLICATION



FLAT WALL APPLICATION

Polypropylene conforms to ASTM D-4101.  
Ladders meet all ASTM C-497 load requirements.

Ladders to be fastened to wall with 1/2" x 2-3/4" wall anchors

Drawing: 1  
Scale: None

5 Step Poly  
Hanging Ladder  
Part # PL-5

**LANE** INTERNATIONAL  
CORPORATION

P.O. Box 925 \* Tualatin, OR 98062  
503-692-9860 \* [www.laneinternational.com](http://www.laneinternational.com)